

CB1 DOUBLE UNION BALL CHECK VALVE

PVC-U

FEATURES

Double union check valves type CB1 is a check valves for common fluids applications. This PVC ball valve with high surface finish, PN16, allows to control the direction of flow on water networks or low pressure acidic or basic fluid (Cf. table of resistance of Sectoriel materials). This check valve is suitable for vertical installation and can also be used as a foot valve. It is BV certified for naval applications. Fully dismountable model.



AVAILABLES MODELS

REFERENCE	BODY	GASKETS
5500PC ---*	PVC-u	EPDM
5501PC ---*	PVC-u	FPM

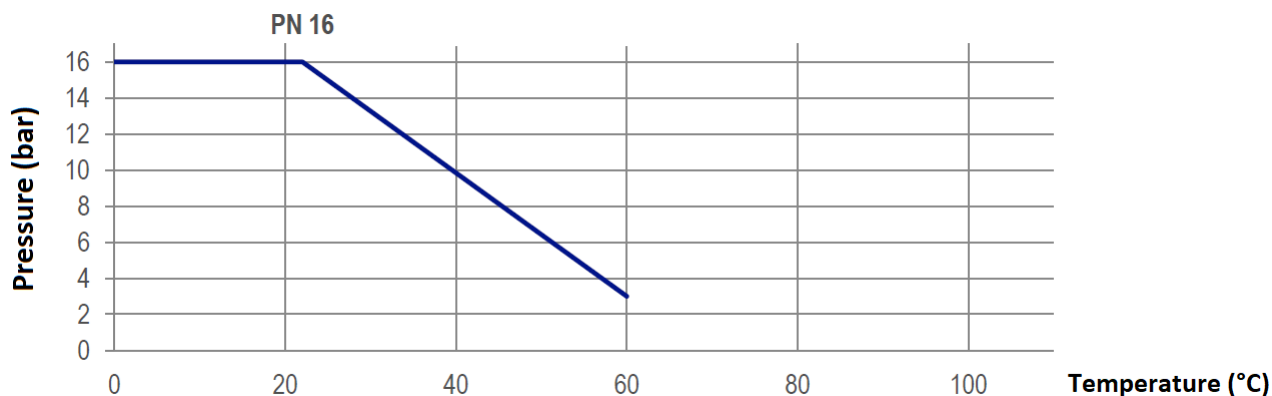
Diameter : DN15 to DN50

Union connection with female end according to DIN/ISO.
Optional BSP thread.

*- - - DN of the valve (Example : CB1 PVC-U/FPM DN25 code 5501PC025)



LIMITS OF USE



The limits of each material are valid for the nominal pressures indicated, and for a service life of 25 years. These are indicative values for non-hazardous transported materials (DIN 2403), for which the valve material is resistant. Please contact us.

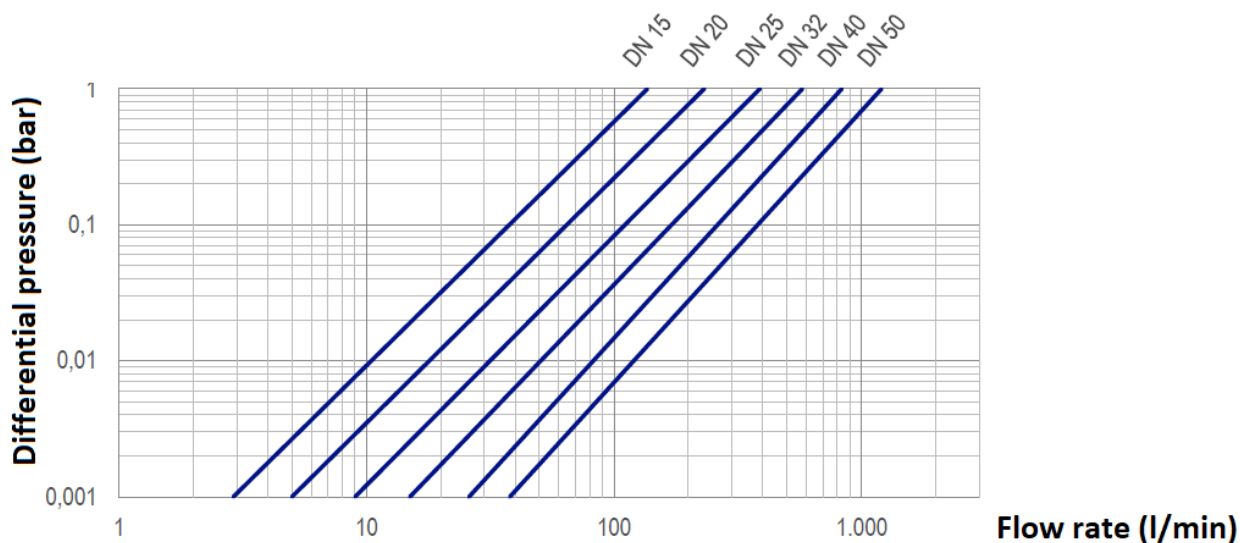
Information given as an indication only, and subject to possible modifications

	SECTORIEL S.A. 45 rue du Ruisseau 38290 SAINT QUENTIN-FALLAVIER – FRANCE Tél : +33 4 74 94 90 70 - Fax : +33 4 74 94 13 95 www.sectoriel.com / Email : sectoriel@sectoriel.fr	Pages	1/3
		Ref.	TDS55P-CB1 ENG
		Rev.	02
		Date	02/2024

CB1 DOUBLE UNION BALL CHECK VALVE PVC-U

HYDRAULIC CHARACTERISTICS

Load loss curve (indicative value for H₂O at 20°C)



FLOW RATE COEFFICIENT Kv100

At $\Delta p = 1$ bar.


Kv100 flow coefficient is the flow rate of water at 20 °C that will generate 1 bar pressure drop. The Kv100 values in the table are calculated for the valve completely open.

DN	DN 15	DN 20	DN 25	DN 32	DN 40	DN 50
l/min	137	232	390	579	835	1209

MINIMUM VALVE OPENING PRESSURE

DN	DN 15	DN 20	DN 25	DN 32	DN 40	DN 50
Bar	0,2	0,2	0,2	0,2	0,2	0,2

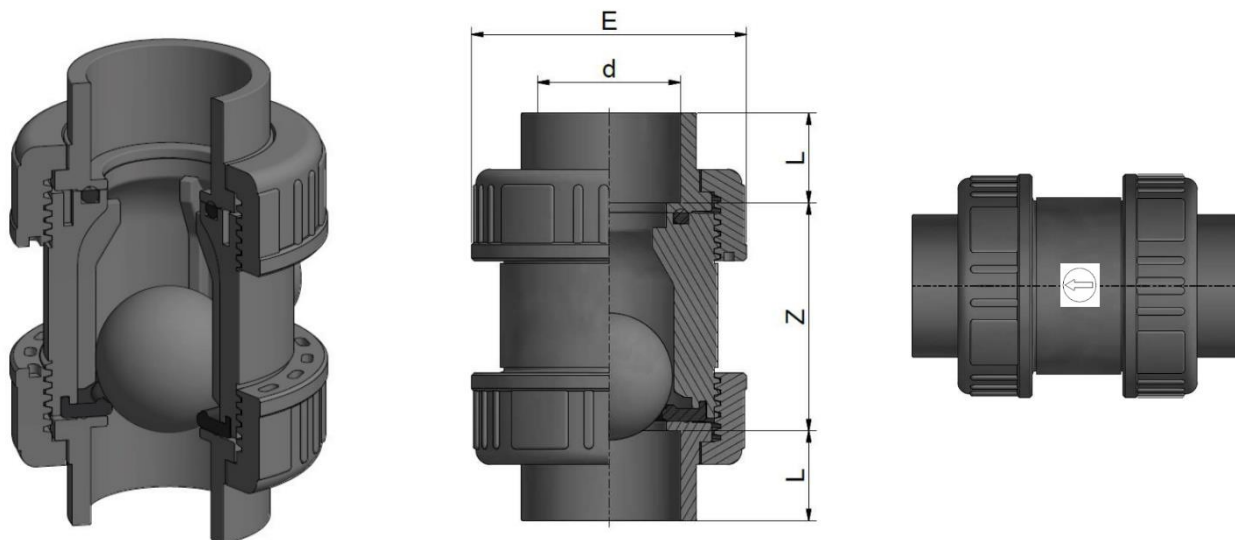
Information given as an indication only, and subject to possible modifications

	SECTORIEL S.A. 45 rue du Ruisseau 38290 SAINT QUENTIN-FALLAVIER – FRANCE Tél : +33 4 74 94 90 70 - Fax : +33 4 74 94 13 95 www.sectoriel.com / Email : sectoriel@sectoriel.fr	Pages	2/3
		Ref.	TDS55P-CB1 ENG
		Rev.	02
		Date	02/2024

CB1 DOUBLE UNION BALL CHECK VALVE PVC-U

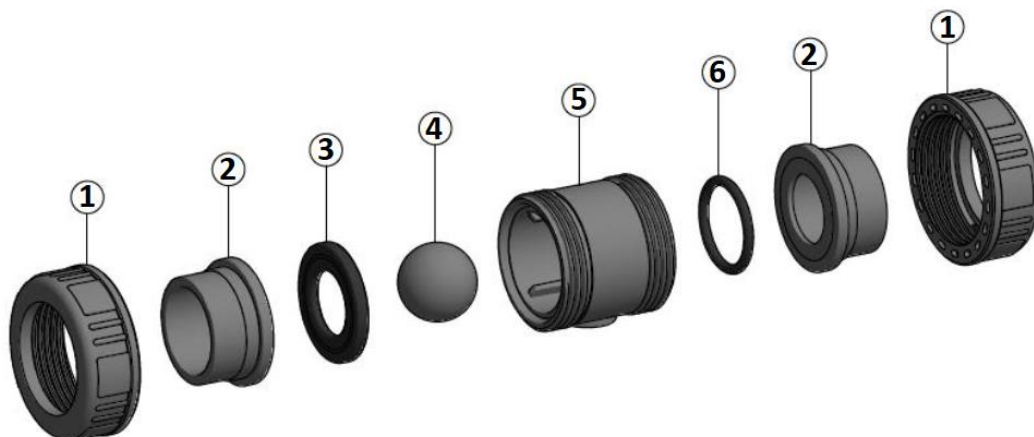
DIMENSIONS (mm)

DN	d	L	Z	E	Weight (kg)
15	20	16	48	49	0,105
20	25	19	54	60	0,174
25	32	22	62	69	0,256
32	40	26	69	80	0,392
40	50	31	81	96	0,617
50	63	39	94	116	1,079



CONSTRUCTION

N°	Item	CB1 PVC-U
1	Nut	PVC-u
2	Socket	PVC-u
3	Gasket	EPDM / FPM
4	Ball	PVC-u
5	Body	PVC-u
6	Socket O-ring	EPDM / FPM



Information given as an indication only, and subject to possible modifications

 <p>SECTORIEL robinetterie plastique</p>	SECTORIEL S.A. 45 rue du Ruisseau 38290 SAINT QUENTIN-FALLAVIER – FRANCE Tél : +33 4 74 94 90 70 - Fax : +33 4 74 94 13 95 www.sectoriel.com / Email : sectoriel@sectoriel.fr	Pages	3/3
		Ref.	TDS55P-CB1 ENG
		Rev.	02
		Date	02/2024